

# The COMET

A high performance wet blast machine which offers combined degreasing, developed specifically for small-scale production use.

- Single operation cleaning – grease, oil, burnt-on carbon, paint, grime, scale... all removed simultaneously
- Complete elimination of dust and heat during cleaning
- No component erosion or media impregnation – threads, bearing areas and other critical measurements maintained
- No toxic or harmful chemicals – no atmospheric or environmental pollution
- Capable of processing all types of materials
- Lower media and maintenance cost than conventional dry blasting



## Capacity

Inside dimensions: 89 cm width x 73 cm height x 90 cm depth with a 50 cm abrasive resistant, manually rotated turntable with a 50kg load capacity. A wide range of component profiles and dimensions can be accepted.

## Visibility

Good visibility is achieved by a wide safety window with water spray and window wiper plus high density fluorescent lighting. The special safety film protected glass and white rubber curtains provide the operator with good visibility as well as protection.

## Ergonomics

The unit can be operated standing or sifting. The turntable aids component handling, the process gun can be hand held or bracket mounted and a mains water rinse nozzle is provided.

## Easy Loading

A right hand door, which is fitted with a safety switch and cam action locking handles, allows easy access.

## Simple Control

Control of the pump and compressed air by three foot pedals, providing the operator with total hands-free control of the blasting process. Additional air control is by an air pressure regulator and gauge incorporated in the airline.

## High Performance

This is achieved with the purpose designed high volume pump and matching process gun. The pump and gun are both lined to give maximum protection against abrasive wear.

## Versatility

The system can be used with a wide range of abrasives, glass beads, plastic, oxide, garnet, sodium bicarbonate, organic or other soft blast grits.

## Low Power

The pump motor is a 1.5 kW three phase however the electric's can be converted to single phase if required. Compressed air consumption ranges from 0.42 to 0.85 m<sup>3</sup>/min (15-30 CFM) depending

upon the speed and intensity of blasting required.

## GRP Construction

The glass reinforced plastic cabinet restricts noise emissions to 80-85dBA at a maximum air pressure of 5.5 Bar (80 psi). The cabinet includes waste separation and removal. Quality components ensure minimum maintenance.

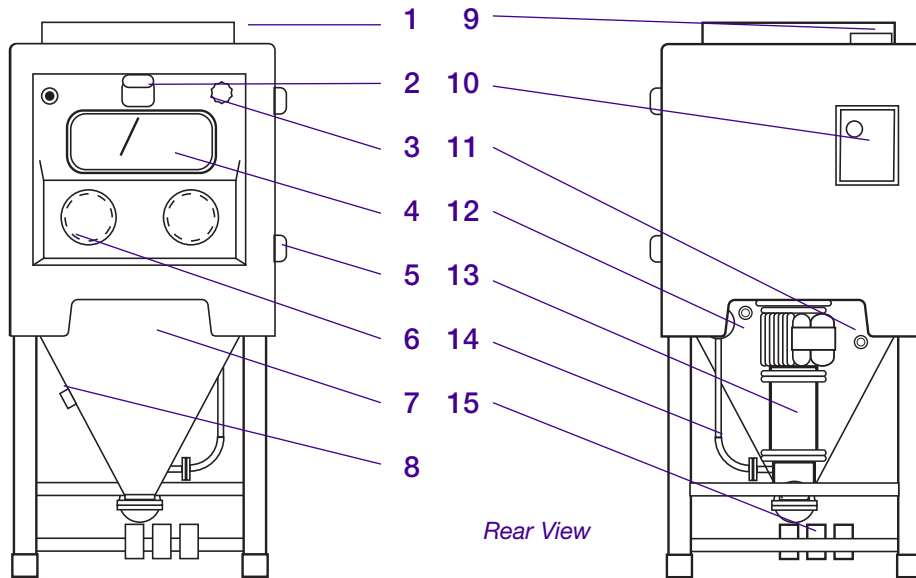
## OPTIONAL EQUIPMENT

### Sump Overflow Tank

This is connected to the machine overflow to trap solids that might otherwise be carried to drains. A baffle retains floating contamination like oil and grease that can be periodically decanted off.

### Closed Circuit System

This is intended for installations where drainage is unavailable. Waste solids and floating contamination are removed whilst cleansed water is recirculated to the machine.



Front View

Rear View

**SPECIFICATIONS**

**External Dimensions**

Height	197cm
Depth (inc of pump unit)	123cm
Width (door closed)	100cm
Width (door open)	177cm
Loading height	98cm
Working height at gloves	123cm

**Internal Dimensions**

Height above turntable	73cm
Depth (front to rear)	90cm
Width	89cm

**Turntable**

Diameter	50cm
Maximum load capacity	50kg
	(evenly distributed)

**Sump Water Capacity**

approximately 28 litres

**Initial Blast Media Charge**

Capacity	1.5 to 4.0kg
----------	--------------

**Electrical**

Media Pump Motor	1.5kW (2hp) single speed motor
Machine lighting	3 x 20 Watt 220V tubes
Control Voltage	24 Volts AC

**Electrical Supply**

Either	
Three Phase System	380/420V 50 Hz 10amps
Or optional	
Single Phase System	220/240V 50Hz 13 amps

**Water Supply**

Connection	1/2" BSP
------------	----------

**Compressed Air Supply**

Connection	1/2" BSP
Inlet pressure to gun	2.1 to 5.6 bar (30 to 80 psi)

**Air Consumption:**

- (a) Process gun fitted with 4.76mm diameter air jet and 9.5mm diameter process nozzle; Approximately 1m<sup>3</sup>/min. (35cfm) @ 5.5Bar (80p.s.i.)
- (b)\* Process gun fitted with 6.75mm diameter air jet and 12.7mm diameter process nozzle; Approximately 1.3m<sup>3</sup>/min. (45cfm) @ 5.5 Bar (80p.s.i.)

\* Available as an optional extra where a higher blasting performance is required

**INDEX TO ILLUSTRATIONS**

- 1 Roof Light
- 2 Window Wiper
- 3 Window Wash Valve
- 4 Safety Glass Window
- 5 Cabinet Door
- 6 Work Gloves
- 7 Machine Sump
- 8 Sump Overflow Outlet
- 9 Cabinet Exhaust Vent
- 10 Electrical Control Panel
- 11 Water Connection
- 12 Compressed Air Connection
- 13 Media Pump Unit
- 14 Media Delivery Hose
- 15 Foot pedals



ABN 93 109 483 007

**HEAD OFFICE**

12/67 Bancroft Road  
 Pinkenba QLD 4008  
 PO Box 72  
 Albion BC QLD 4010

**ph. +61 (0)7 3860 4913**

fx. +61 (0)7 3860 4869

**Australia Toll-free 1800 806 316**

**New Zealand Toll-free 0800 944 788**

Website: [www.dana-ridge.com.au](http://www.dana-ridge.com.au)

Dana-Ridge operates a policy of continuous development and reserves the right to change without notice any of the specifications of its products. All information, data and illustrations given in this leaflet are subject to variation and are intended for general guidance only.